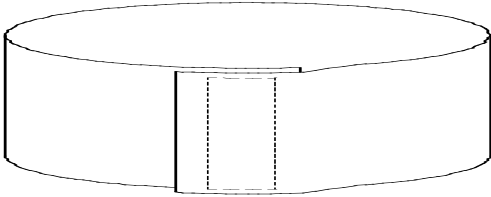
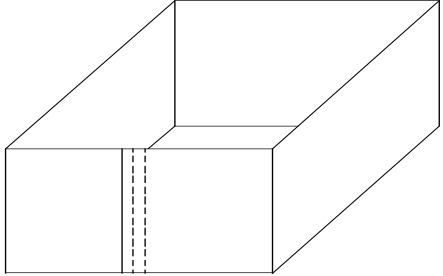
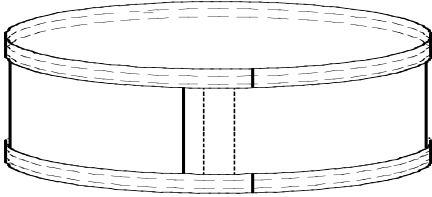
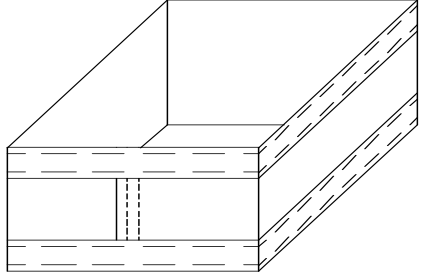
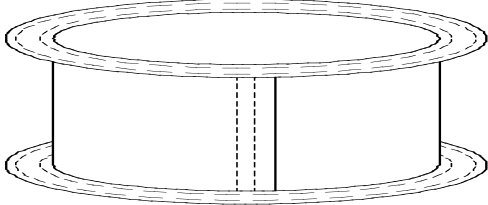
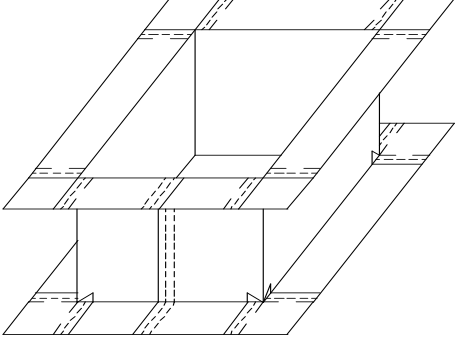


**Ventilation cuffs
Available shapes**

STRAIGHT-SHAPED CUFF

1/15

<i>Cylindric cuff</i>	<i>Rectangular and squared cuff</i>
	
<div style="border: 1px solid black; padding: 5px; display: inline-block;"><i>Without finishings</i></div>	
	
<div style="border: 1px solid black; padding: 5px; display: inline-block;"><i>With hems</i></div>	
	
<div style="border: 1px solid black; padding: 5px; display: inline-block;"><i>With collars</i></div>	

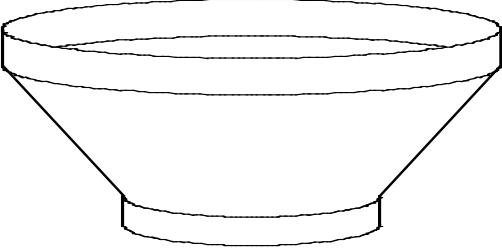
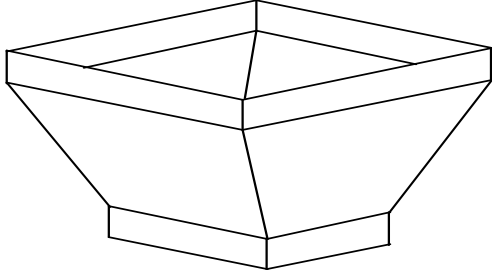
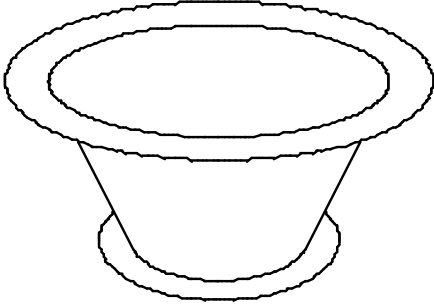
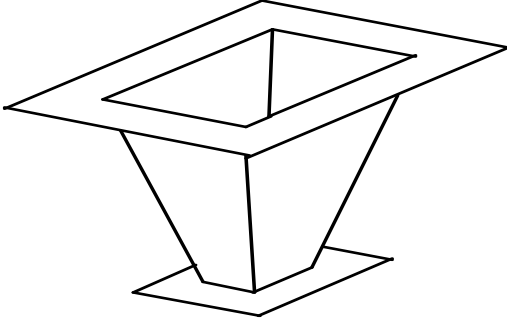
Annuls and replaces any edition anterior to 11/07/2001



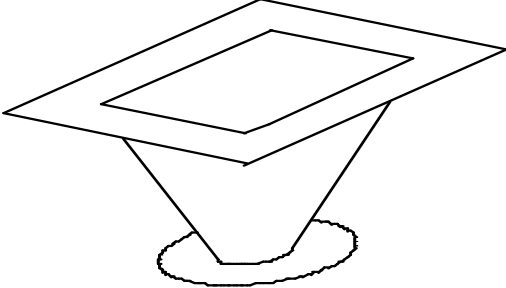
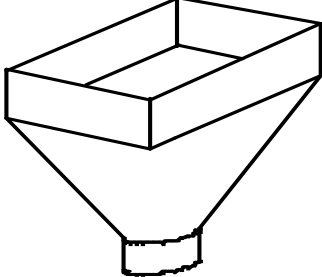
Ventilation cuffs
Available shapes

CONICAL CUFF

2/15

<i>Cylindric cuffs</i>	<i>Rectangular and squared cuff</i>
	
<div style="border: 1px solid blue; padding: 2px; display: inline-block;"><i>With hems</i></div>	
	
<div style="border: 1px solid blue; padding: 2px; display: inline-block;"><i>With collars</i></div>	<div style="border: 1px solid blue; padding: 2px; display: inline-block;"><i>With flanging edges</i></div>

TRANSFORMED CUFF

	
<div style="border: 1px solid blue; padding: 2px; display: inline-block;"><i>With flanging edges and collar</i></div>	<div style="border: 1px solid blue; padding: 2px; display: inline-block;"><i>With hems</i></div>

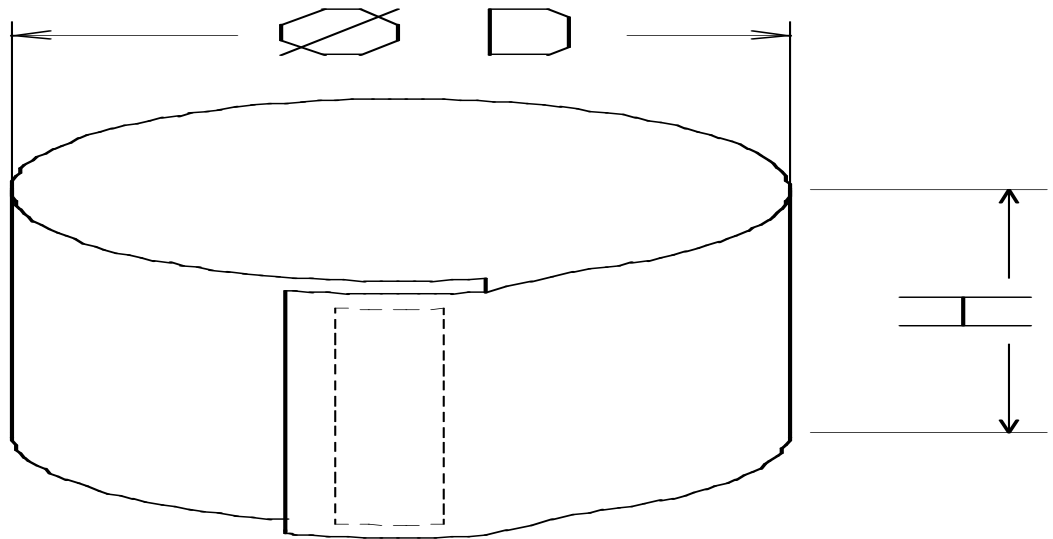
Annuls and replaces any edition anterior to 11/07/2001



Ventilation cuffs GENERAL SIZE

3/15

CYLINDRIC CUFF WITHOUT FINISHINGS



Cuff \varnothing D	
Cuff height H	

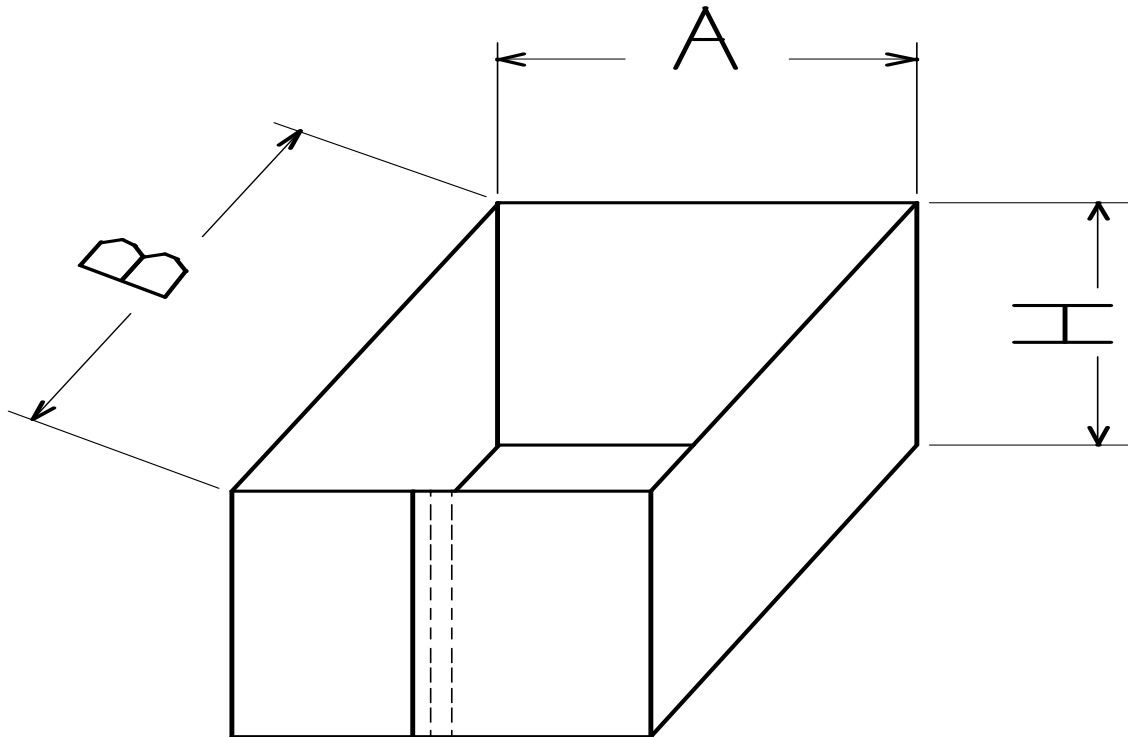
Annuls and replaces any edition anterior to 11/07/2001



Ventilation cuffs GENERAL SIZE

4/15

RECTANGULAR OR SQUARED CUFF WITHOUT FINISHINGS



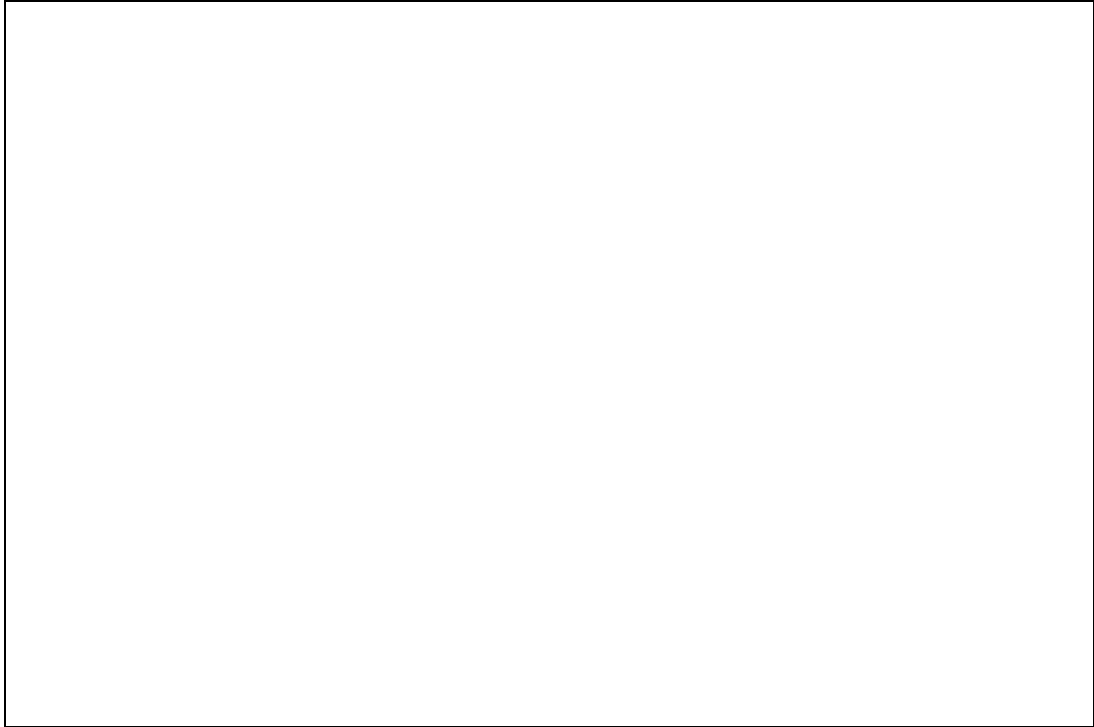
A side	
B side	
Cuff height H	



Ventilation cuffs GENERAL SIZE

5/15

CYLINDRIC CUFF WITH HEMS

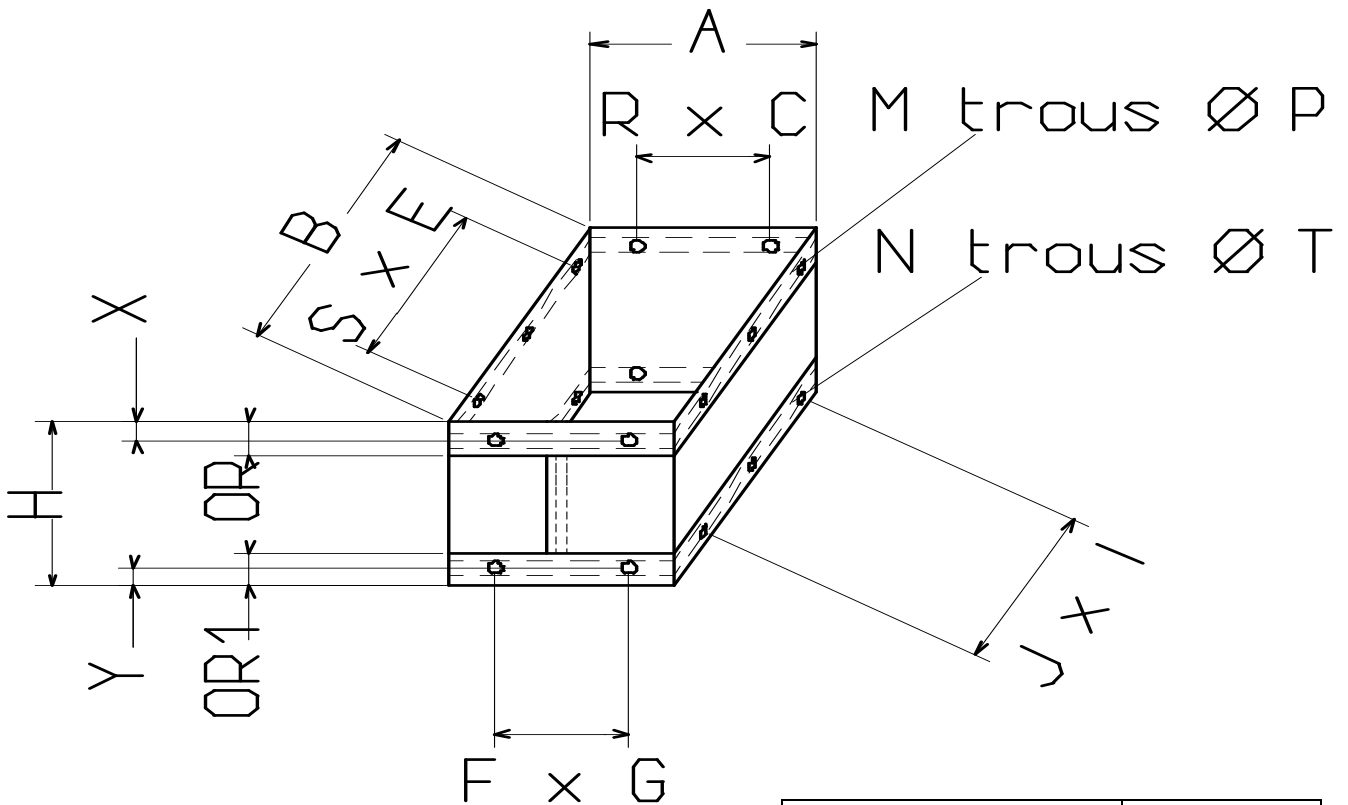


Cuff int. \varnothing D	
Drilling \varnothing T	
Drilling \varnothing R	
Cuff height H	
Number of drillings N	
Number of drillings P	

Hem width OR	
Hem width OR1	
Hole position X	
Hole position Y	



RECTANGULAR OR SQUARED CUFF WITH HEMS

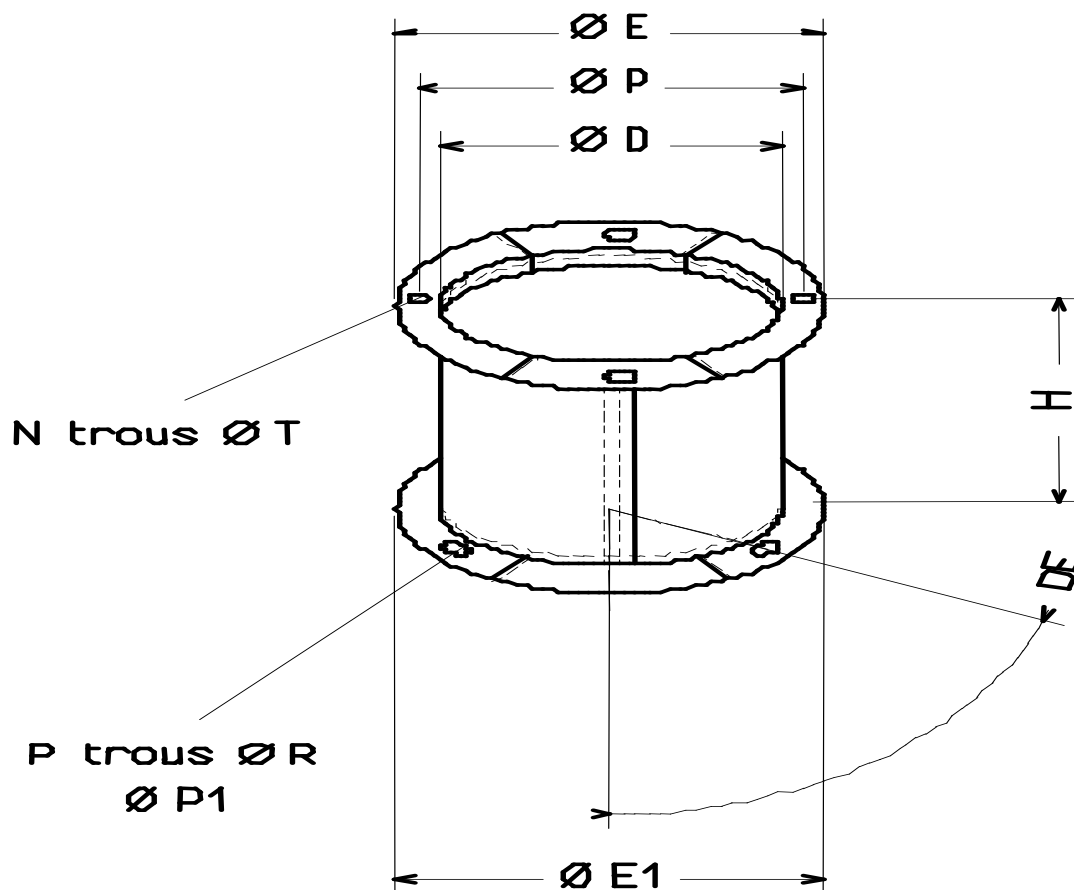


A side	
B side	
Cuff height H	
Hem width OR	
Hem width OR	
Hole \varnothing P	
Number of holes M	
Space between drillings E	
Number of spaces S	

Space between drillings C	
Spaces number R	
Hole \varnothing T	
Number of holes N	
Space between drillings G	
Number of spaces F	
Space between drillings I	
Number of spaces J	
Hole position X	
Hole position Y	



CYLINDRIC CUFFS WITH COLLARS



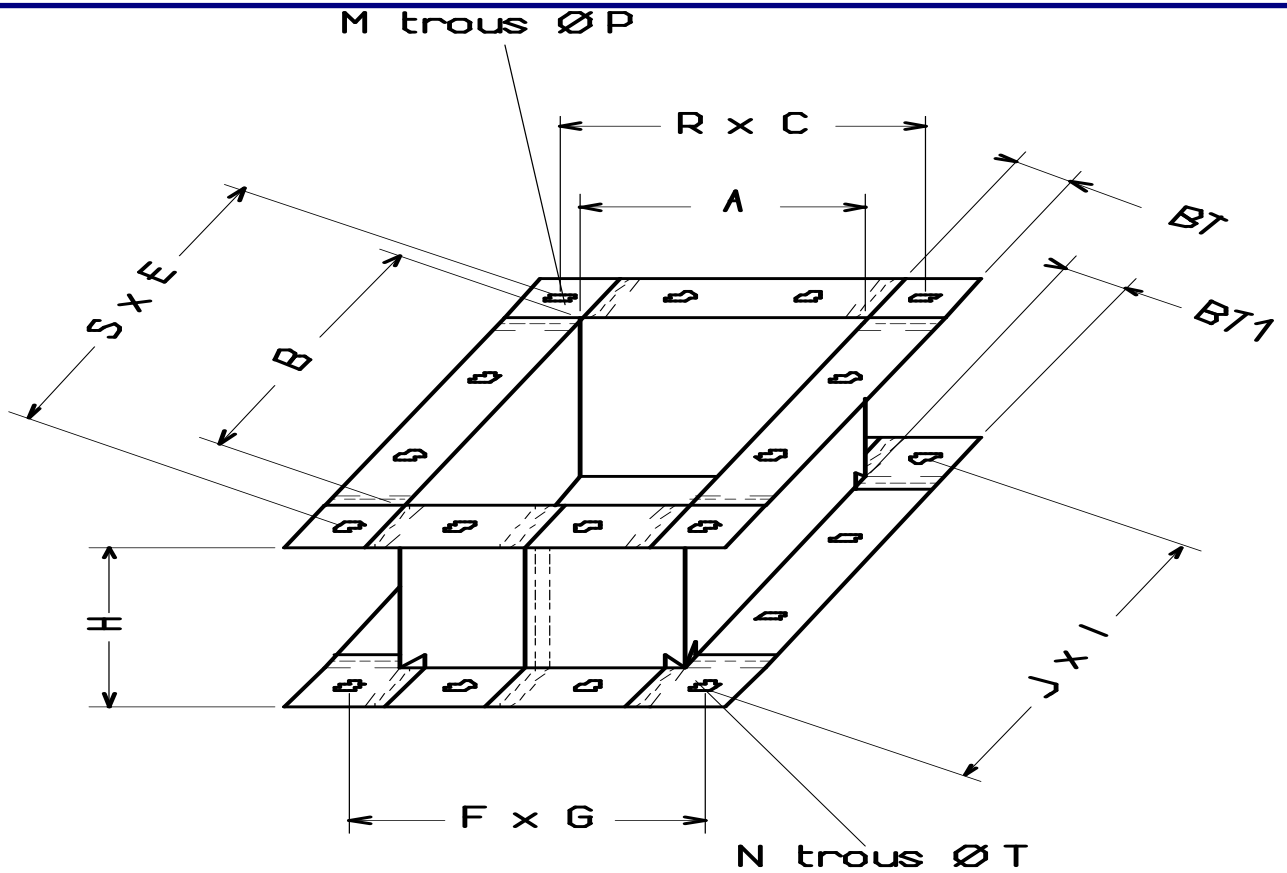
Collar ext. Ø E	
Drilling axis Ø P	
Cuff int. Ø D	
Drilling Ø T	
Drilling Ø R	
Number of drillings N	

Number of drillings P	
Collar ext. Ø E1	
Drilling axis Ø P1	
Gap angle DE	
Cuff height H	



Ventilation cuffs GENERAL SIZE

RECTANGULAR OR SQUARED CUFF WITH FLANGING EDGES



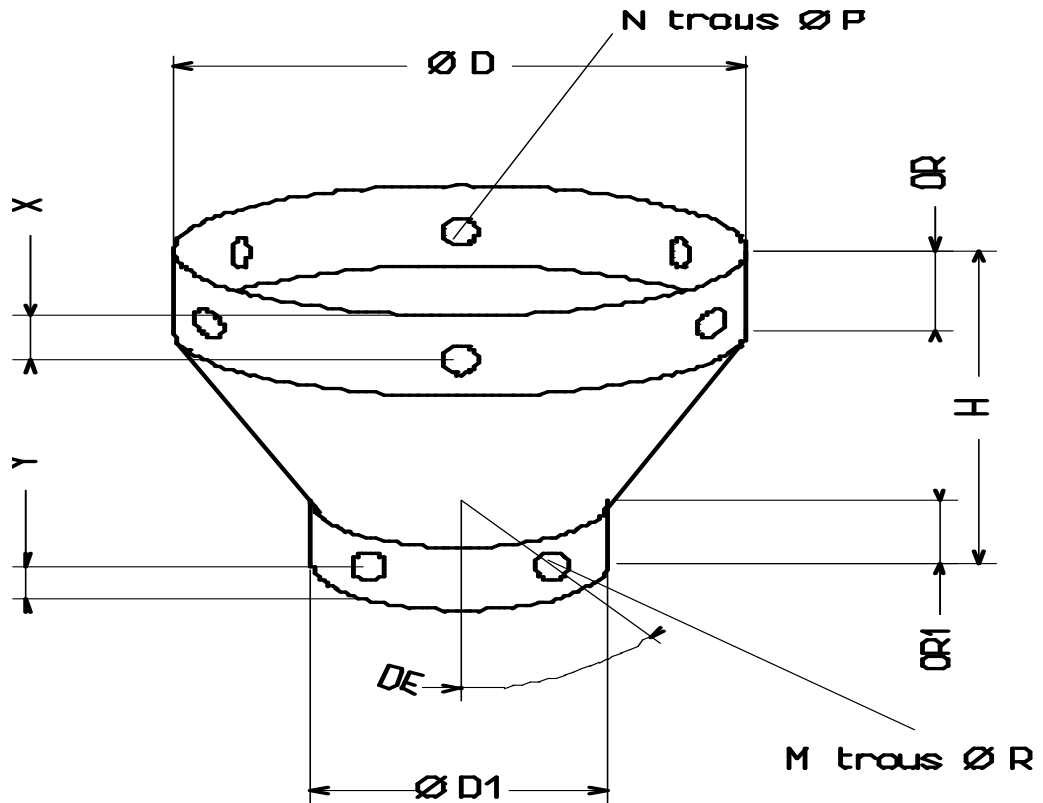
A side	
B side	
Height BT	
Width BT1	
Cuff height H	
Drilling Ø P	
Number of drillings M	
Numbers of spaces S	
Space between drillings E	

Number of spaces R	
Space between drillings C	
Drilling Ø T	
Number of drillings N	
Number of spaces G	
Space between drillings F	
Number of spaces I	
Space between drillings J	



Ventilation cuffs GENERAL SIZE

CONICAL CUFF WITH HEMS



Cuff Ø D	
Cuff Ø D1	
Cuff height H	
Hem width OR	
Hem width OR1	
Drilling Ø P	
Number of drillings N	

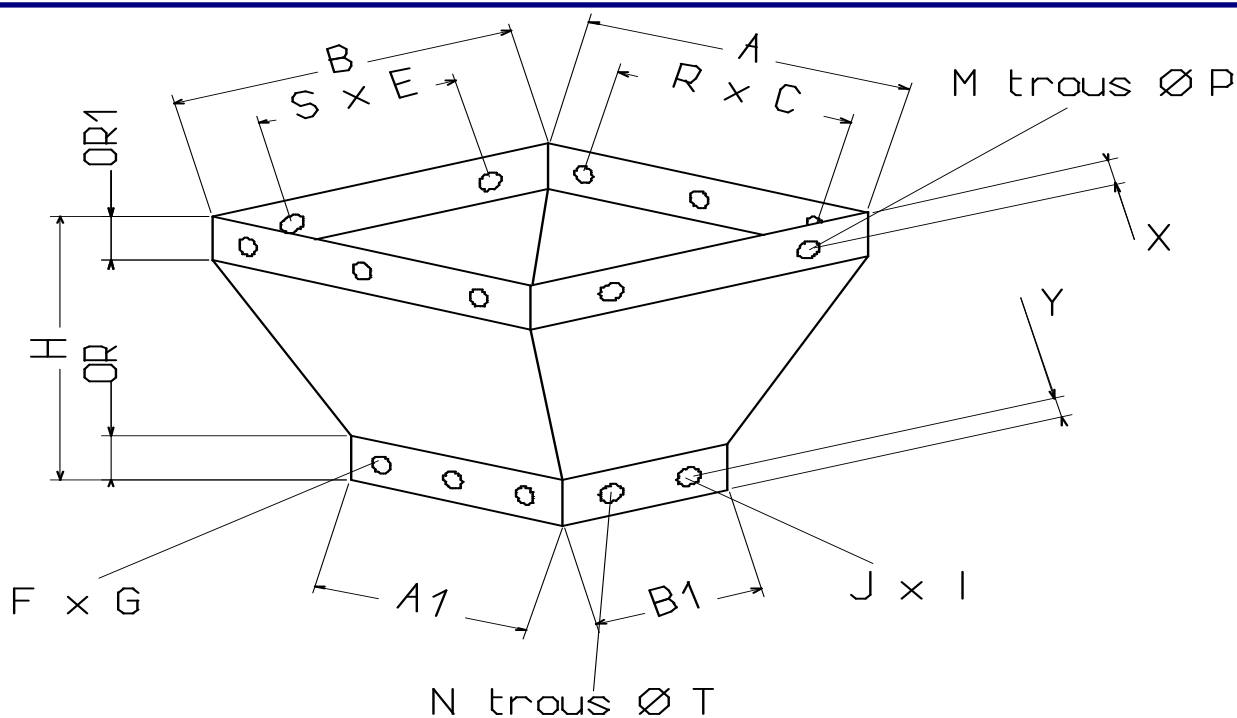
Drilling Ø R	
Number of drillings M	
Gap between holes DE	
Hole position X	
Hole position Y	



Ventilation cuffs GENERAL SIZE

10/15

RECTANGULAR OR SQUARED CONICAL CUFF WITH HEMS



A side	
B side	
A1 side	
B1 side	
Cuff height H	
Hem width OR	
Hem width OR1	
Drilling Ø P	
Number of drillings M	
Space between drillings E	

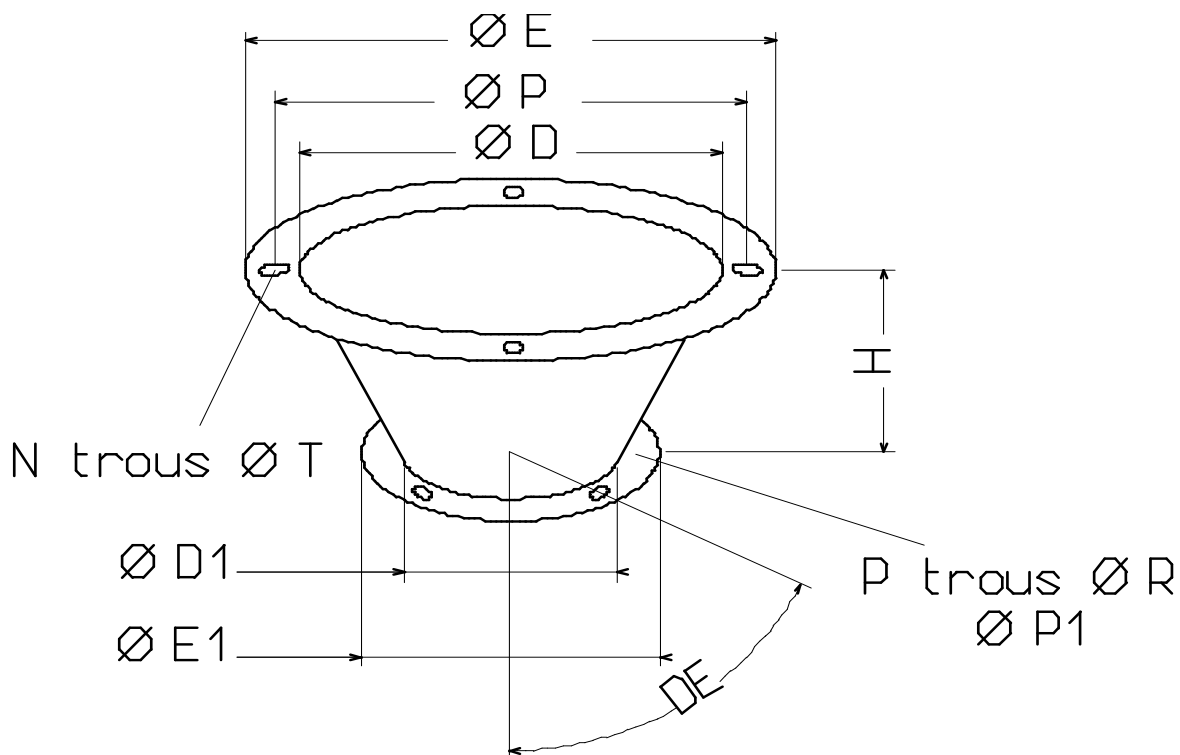
Number of spaces C	
Space between drillings C	
Number of spaces R	
Drilling Ø T	
Number of drillings N	
Space between drillings F	
Number of spaces G	
Space between drillings J	
Number of spaces I	
Hole position X	
Hole position Y	



Ventilation cuffs GENERAL SIZE

11/15

CONICAL CUFFS WITH COLLARS

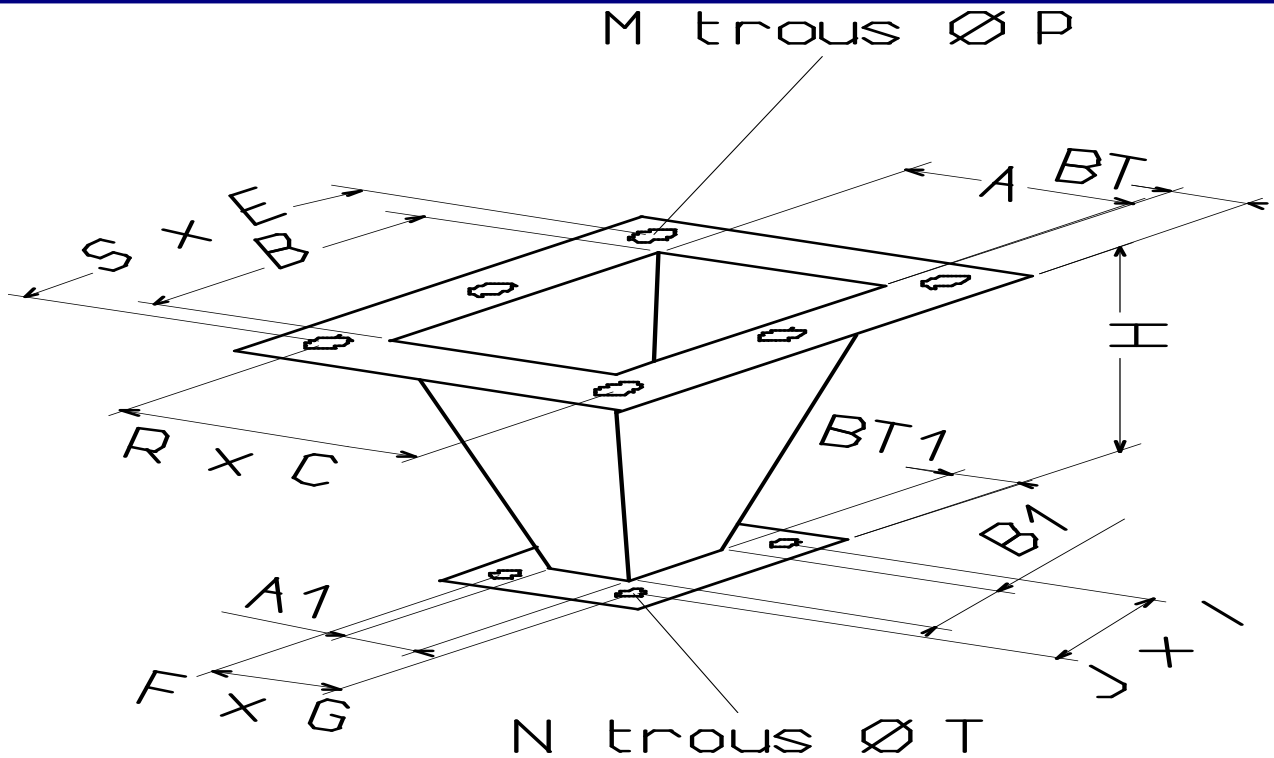


Cuff Ø D	
Collar ext. Ø E	
Drilling axis Ø P	
Drilling Ø T	
Number of drillings N	
Cuff height H	

Cuff Ø D1	
Collar ext. Ø E1	
Drilling axis Ø P1	
Drilling Ø R	
Drillings number P	
Gap angle DE	



RECTANGULAR OR SQUARED CONICAL CUFF WITH FLANGING EDGES

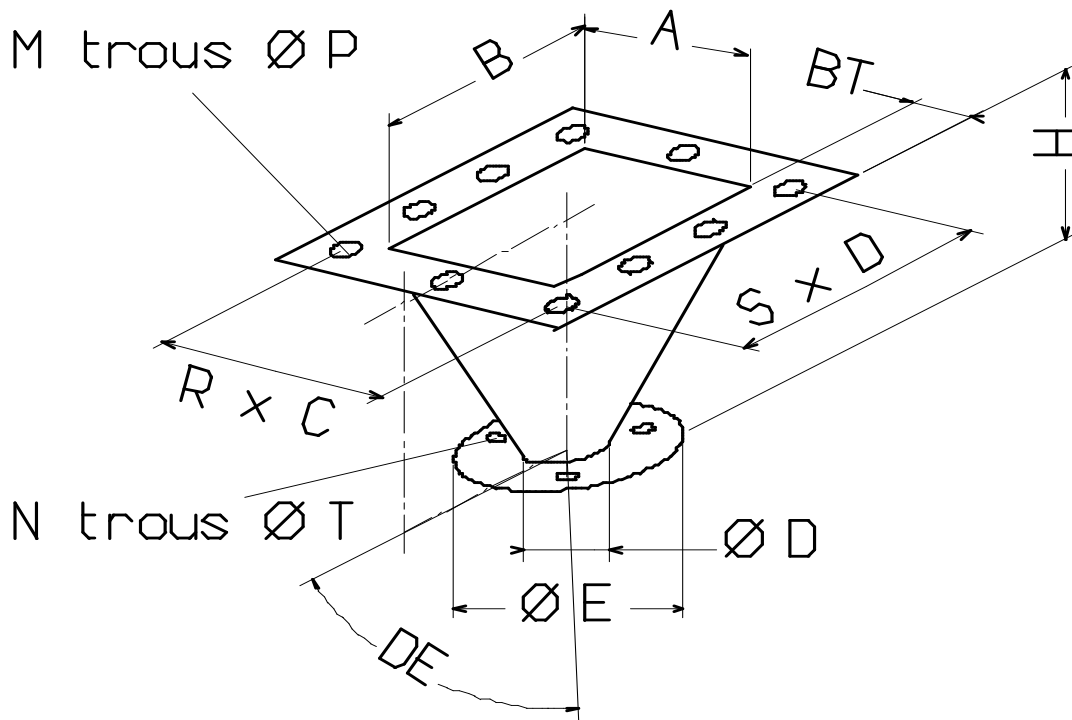


A side	
B side	
A1 side	
B1 side	
Cuff height H	
Flanging edges width BT	
Flanging edges width BT1	
Drilling Ø P	
Number of drillings M	

Space between drillings E	
Number of spaces S	
Space between drillings C	
Number of spaces R	
Drilling Ø T	
Number of drillings N	
Number of spaces G	
Space between drillings F	
Number of spaces I	
Space between drillings J	



**RECTANGULAR / CYLINDRIC
 TRANSFORMED CUFF WITH HEMS**

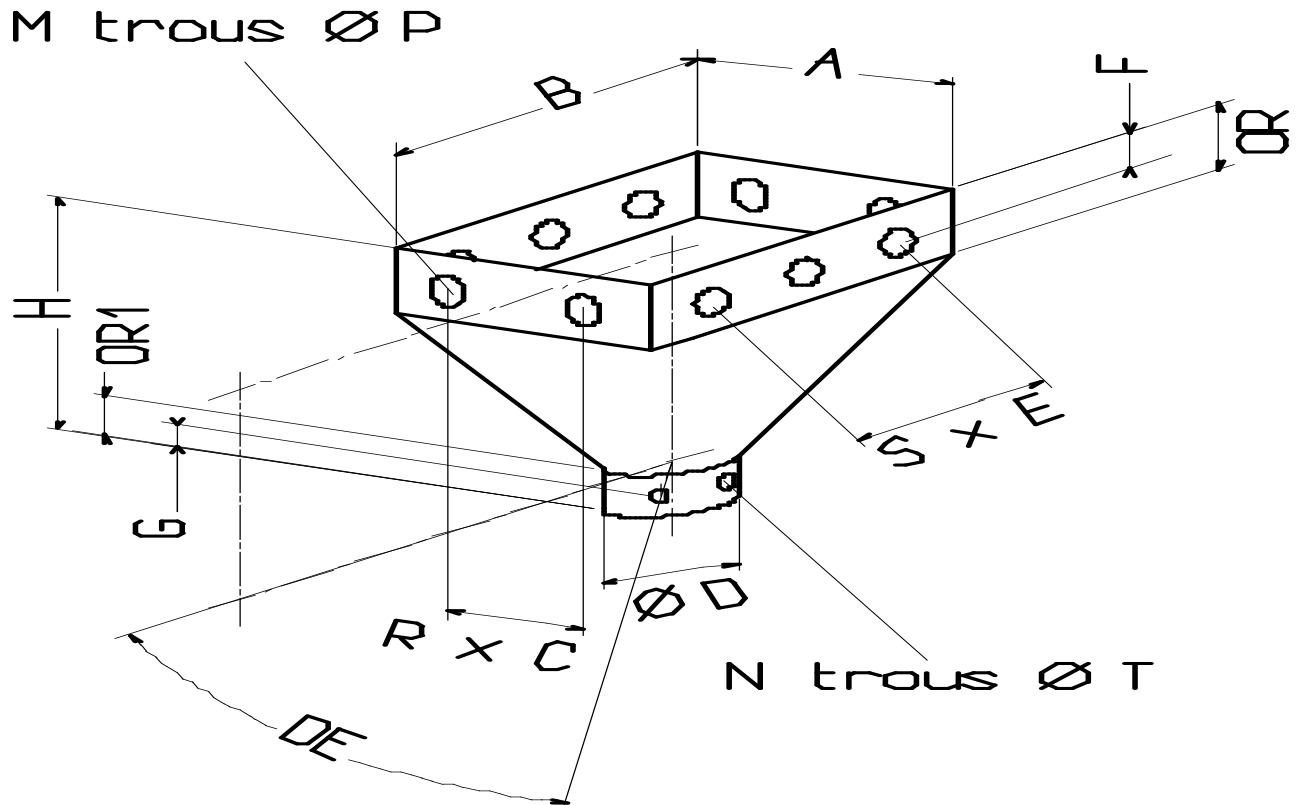


A side	
B side	
Cuff height H	
Flanging edges width BT	
Drilling Ø P	
Number of spaces R	
Space between drillings C	
Gap angle DE	

Number of spaces S	
Space between drillings D	
Number of holes M	
Drilling Ø T	
Number of holes N	
Holes drilling axis Ø T	
Collars ext. Ø E	
Cuff Ø D	



**RECTANGULAR / CYLINDRIC
 TRANSFORMED CUFF WITH HEMS**

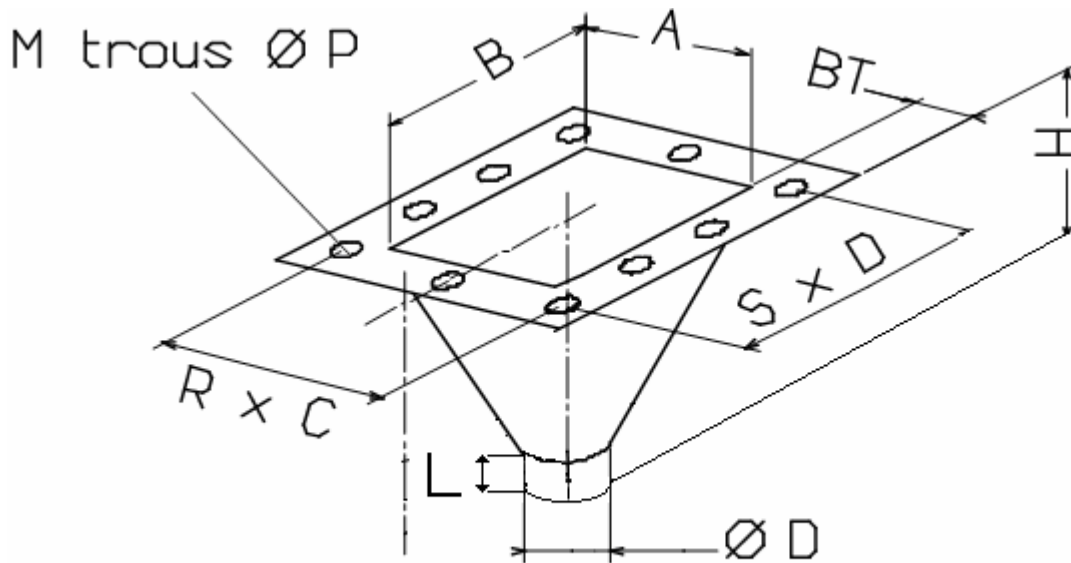


A side	
B side	
Hem Ø D	
Cuff height H	
Hem width OR	
Hem width OR1	
Drilling Ø P	
Number of spaces E	

Space between drillings E	
Number of spaces C	
Space between drillings R	
Drilling Ø T	
Drillings number N	
Gap angle DE	
Hole position F	
Hole position G	



**TRANSFORMED CUFF :
 RECTANGULAR WITH FLANGING EDGES / CYLINDRIC WITH HEMS**



A side	
B side	
Cuff height H	
Flanging edges width BT	
Drilling Ø P	
Number of spaces R	
Space between drillings C	
Gap angle DE	

Number of spaces S	
Space between drillings D	
Number of holes M	
Drilling Ø T	
Number of holes N	
Cuff height L	
Cuff Ø D	

